

Copyright © 2016 by Big Bike Parts, Inc. No part of this instruction sheet may be reproduced without the written permission of Big Bike Parts, Inc.

PART NO. 30-108

SMART MOUNT™ BACKREST

FITMENT:

VICTORY CROSS COUNTRY/CROSS ROADS/ HARDBALL/ CCT/ MAGNUM  
2010-NEWER

4/26/2017

TOOLS NEEDED:	1/8" ALLEN WRENCH	4MM ALLEN WRENCH	3/16" ALLEN WRENCH	6MM ALLEN WRENCH
	13MM WRENCH	17MM WRENCH	7/16" WRENCH	REMOVABLE THREAD LOCK

## WARNING

BACKREST IS DESIGNED TO SUPPORT RIDERS LOWER BACK WHEN RIDING. DO NOT APPLY EXCESSIVE FORCE BY PUSHING BACK WITH YOUR FULL BODY WEIGHT. DO NOT USE BACKREST TO LIFT OR SUPPORT MOTORCYCLE.

PLEASE READ THROUGH AND UNDERSTAND THESE INSTRUCTIONS BEFORE BEGINNING.

\*USE A REMOVABLE THREAD LOCK ON ALL FASTENERS.\*

ESTIMATED INSTALLATION TIME: 20 TO 30 MIN.

### INSTALLATION:

1. THREAD THE TWO M10 X 25MM SCREWS THROUGH THE RISER AND INTO THE MOUNT FROM THE SIDE SHOWN IN FIG. 1.
2. POSITION THE SCREWS SO THAT THEY ARE CLOSE TO THE RISER BUT YOU ARE STILL ABLE TO MOVE THE RISER.
3. INSTALL THE TWO M10 LOCK NUTS ON THE BACK SIDE AS SHOWN IN FIG. 1 AND TIGHTEN.
4. REMOVE THE RISER BY SLIDING IT UP SO THAT THE LARGE OPENING LINES UP WITH THE TOP SCREW. PULL IT FORWARD TO REMOVE. SEE FIG. 2.
5. REMOVE BOTH SIDE COVERS ON THE BIKE BY PULLING THEM STRAIGHT OUT.
6. USING A 6MM ALLEN WRENCH REMOVE THE TWO SCREWS HOLDING THE FRONT OF THE SEAT TO THE BIKE. SEE FIG. 3.
7. LIFT THE SEAT FROM THE FRONT AND REMOVE IT. FEED THE PASSENGER STRAP THROUGH THE HOLE AS YOU REMOVE THE SEAT.
8. REMOVE THE TWO BOLTS AND THE PASSENGER STRAP MOUNT FROM THE BIKE. THESE ITEMS WILL NOT BE REUSED.
9. PLACE THE MOUNT AS SHOWN IN FIG. 4 AND INSTALL THE TWO M8 X 20MM BOLTS WITH LOCK WASHER AND TIGHTEN.
10. REINSTALL THE SEAT AND SIDE COVERS.
11. ASSEMBLE THE ADJUSTMENT PLATE TO THE RISER AS SHOWN IN FIG. 5. KEEP ADJUSTMENT PLATE LEVEL WITH THE TOP OF THE RISER.
12. INSTALL THE BACKREST PAD ON THE RISER USING THE HARDWARE SHOWN IN FIG. 6. SEE NOTE ON FIG. 6 FOR HARDWARE IN THE PACKAGE THAT WILL NOT BE USED IN THIS APPLICATION.
13. SNAP THE POUCH ON THE BACK OF THE BACKREST PAD.
14. INSTALL THE RISER ON THE MOUNT BY SLIDING IT INTO THE FRONT PART ON THE HOLE IN THE SEAT AND ALIGNING THE TOP SCREW WITH THE LARGE HOLE IN THE RISER. PUSH THE RISER BACK TIGHT TO THE MOUNT AND PUSH DOWN.
15. USING THE ADJUSTMENT PLATE AND THE MOUNTING HOLES IN THE TOP BRACKET ADJUST THE PAD TO THE DESIRED POSITION.

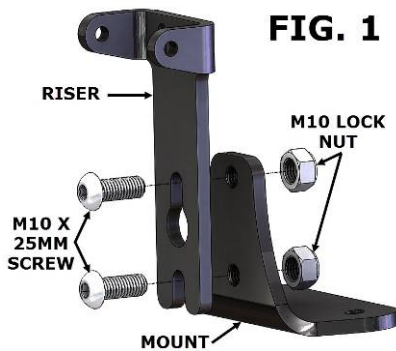


FIG. 1

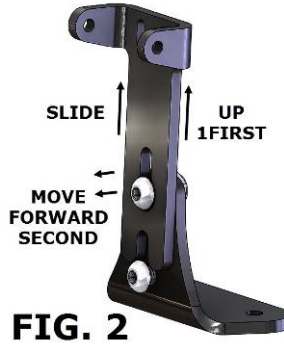


FIG. 2

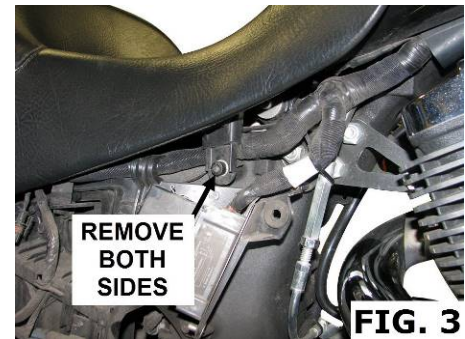


FIG. 3



FIG. 4

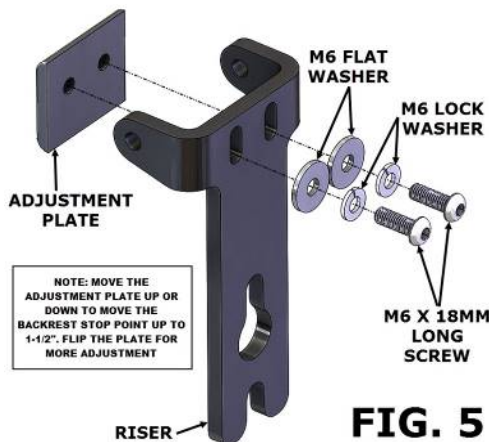


FIG. 5



FIG. 6

NOTE: ITEMS NOT USED  
2- M6 LOCK WASHERS  
2- M6 X 25MM CAP SCREWS  
1- RUBBER STRIP  
1- RUBBER SEAT GROMMET